

RQ-21A Blackjack

Program of Record for the U.S. Navy and U.S. Marine Corps



UNMANNED AIRCRAFT SYSTEMS



Expeditionary, payload flexible and the most versatile UAS in its class. In partnership with the U.S. Department of the Navy, Insitu developed the RQ-21A Blackjack program to fill the requirement for a small tactical unmanned aircraft system capable of operating from land and sea.

KEY BENEFITS & FEATURES

Modularity

Modular design supports a wide range of missions and payloads including electronic warfare, ISR and communications relay.

Flexibility

Runway-independent, small-footprint design easily operates from austere land-based sites and maritime environments.

Communication

Encrypted command and control data link enables a line-of-sight operating radius beyond 50 nm / 92.6 kms, with electromagnetic shielding to support customized communications and radio frequency sensor payloads.

Mobility

The system is transportable via ship, cargo aircraft (V-22, C-130 or larger), cargo helicopters (CH-47, CH-53) and vehicles such as HMMWVs or JLTVs.

Persistence

Range and endurance enable persistent detection, classification and tracking.

Interoperability

Compliant with relevant NATO and industry standards to allow interoperability across joint, coalition and allied forces.

Customizable payload suite

Blackjack's open payload architecture can be customized with imagers, communication systems, electronic warfare payloads, signals intelligence capabilities and other tools to give the warfighter a look ahead in operational environments.

Proven experience

Our systems are backed by more than 1.3 million operational hours and deployed worldwide with international defense, government and commercial customers with the most demanding mission requirements.



1.3 MILLION
FLIGHT HOURS

50
GLOBAL SITES
OF OPERATION

MODULAR
FAMILY OF
SYSTEMS

SERVICES,
ACQUISITION
AND FMS

LEARN MORE | Contact us at solutions@insitu.com
insitu.com

This document consists of basic marketing information subject to change without notice. Items subject to U.S. export controls require a valid license in accordance with EAR or ITAR, as applicable. Copyright © 2021 Insitu. All rights reserved.
NAVAIR Public Release 2021-7. Distribution Statement A - "Approved for public release"

DU011221

RQ-21A Blackjack

Program of Record for the U.S. Navy and U.S. Marine Corps



PROGRAM STATUS

17,000+
flight hours

14
deployments
completed

8
maritime MEU
deployments

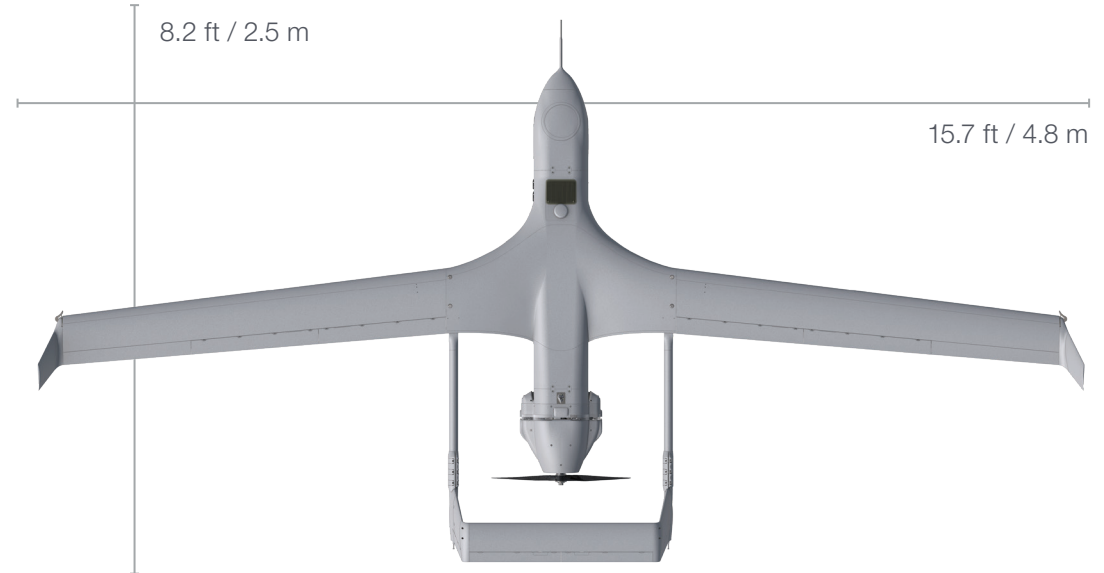
6
land-based
deployments

31
systems
delivered to
the U.S. Navy &
Marine Corps

4
international
customers
through NAVAIR's
FMS program



SPECIFICATIONS



SIZE, WEIGHT AND POWER

- Max takeoff weight: 135 lb / 61 kg
- Max payload weight: 39* lb / 17.7 kg (*Reduces endurance)
- Length: 8.2 ft / 2.5 m
- Wingspan: 15.7 ft / 4.8 m

PERFORMANCE

- Endurance: up to 16 hours
- Ceiling: up to 20,000 ft
- Max horizontal speed: 90+ knots / 46.3 m/s
- Cruise speed: 60 knots
- Engine: 8 HP reciprocating engine with EFI; JP-5, JP-8

STANDARD PAYLOAD CONFIGURATION

- Electro-optic imager: -1.1°–25° optical field of view; 4x digital zoom
- Mid-wave infrared imager: -2°–25° field of view
- Laser rangefinder
- IR marker
- Communications relay and AIS